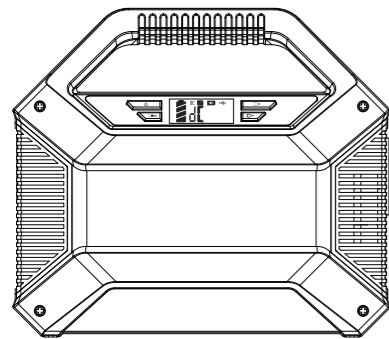


PORTABLE POWER SUPPLY

Universal Instruction manual



ATTENTION: This product user manual is universal for portable solar generator AC output range between 100V~240V/50Hz~60Hz. Actual product specification, actual AC outlets will be different according to different countries, areas or customers. Please refer to the actual product before you use the product.

ABOUT THE UNIT

Thank you for applying our multi-function portable solar generator. In case of power failure or you need to charge on a travel, you can temporarily charge your electrical or digital devices with this unit. This unit can provide USB, DC and AC output. You can keep laptops, appliances, lights and more going for hours longer. Before using this unit, please read the user manual carefully and properly keep it for reference.

ATTENTION!

This manual is to help you use the product correctly; it does not represent any description on the hardware and software configuration of the product. About the product configuration, please refer to the contract related to this product (if there is), or consult to the seller that sells the product. Pictures in this manual is for reference only, if there are individual pictures do not match the actual, please prevail in actual products.

The unit provides Modified Sine Wave output

The unit provides Modified Sine Wave output, and can be compatible to AC electric appliance that works with Sinusoidal waveform(power <100W). However, anything that uses an AC motor isn't going to work to full capacity on a modified sine wave. such as an electrical fan, It will even make the electric appliance arouse some noise.Appliances like refrigerators, microwaves, and compressors that use AC motors and some delicate medical equipment will be better off with a pure sine wave inverter. This product is only used for emergency, it cannot replace the normal alternating current, for long-term use, please adapts the power station specification required by electrical appliances.

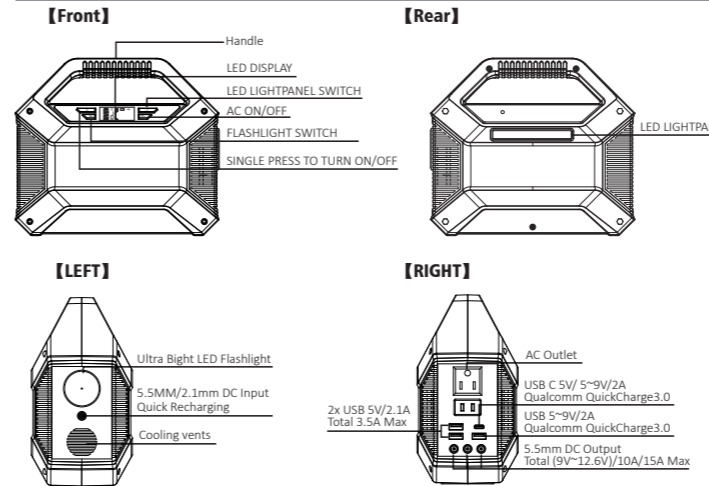
[I] PRODUCT PARAMETERS

Capacity	155Wh,14Ah/11.1V(Equivalent 42000mAh,3.7V)
Dimensions(LWH)	207x96x180mm
Weight	about 1.7Kg
Built-in Battery	High Quality Lithium ion Batteries
Input Recharging	Adapter: DC15V/2A Solar Panel Charging: DC 13V~25V/2A Max
Fully Charged Time	DC15V/2A: 8~9 hours
USB Output	2 x USB 5V-2.1A Total:3.5A Max 1 x USB 5~9V/2A Qualcomm QuickCharge3.0 1 x USB C 5~9V/2A Qualcomm QuickCharge3.0
DC Output	3 x 5.5MM DC Output: 9~12.6V/10A(15A Max Total)

AC Output	Modified SineWave Output; AC Voltage: 100/110/120/220/230/240VAC±10% Output Frequency:50/60Hz±10% Attention:Actual AC voltage/Frequency/Outlet(s) are customized according to different Countries and areas.
AC Power	AC Continuous Output: 100W/150W Max
Bulb Type	1 x Ultra bright LED Flashlight 1 x LED Light Panel
Power Indicator	Led Display
Operation temperature	-10 C ~40 C
Lifecycle	>500 times
Package include	1 x Portable Power Supply 1 x 15V/2A Power Adapter 1 x Car Charger 1 x Cigarette Lighter Adapter 1 x user manual.

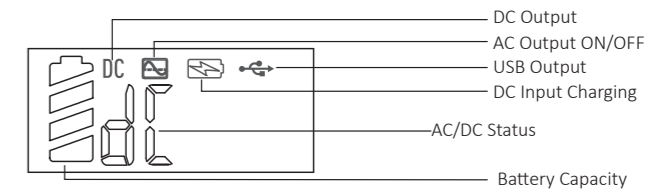
※ There may be some differences on different spare parts.Please adhere to the actual product instead.

[II] PRODUCT DESCRIPTION



ATTENTION!AC Outlets,AC output voltage and frequency will be different according to different countries areas. Please refer to the actual product before using.

[LED DISPLAY]

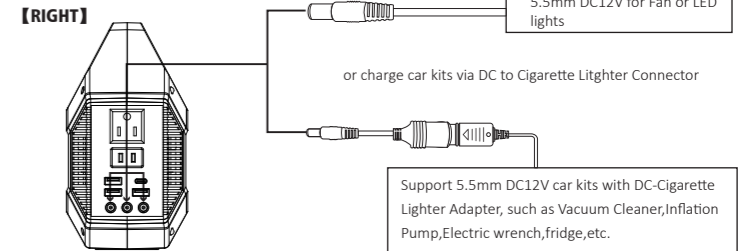


[III] PRODUCT INSTRUCTION

1) How to provide power for DC12V appliances(such as head lamp, fan) with this product?

The 5.5mm 12V DC output is plug and play. Plug your appliances to the DC output port to gain power. DC output rated Current:10A , Max output Current<15A.

Notices: Please confirm whether your DC12V appliance support charging with 5.5mm DC header interface (The diameter of the DC Port of the Product is: 5.5mm),otherwise it is unable to connect with the DC output, you can consult the electrical manufacturer, buy the corresponding adapter and connect with it.



※ **Note:** The12V DC output voltage is range between 9V~12.6V, maximum output current is 15A. DC output voltage drops while battery capacity drops due to chemical characteristics of the battery. If your appliance is not built-in input voltage stabilizing function, it may shutdown when input voltage is too low, please unplug your device from the unit in time. And please charge the unit in time.

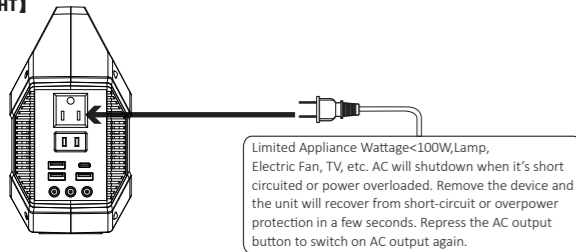
Protection Mode:

Short-circuit/Overpower Protection: If the DC output is short-circuited or overpowered(Load(s) power>150W), the unit will shutdown to protect itself. Please clear the problem and recharge the unit to recover from protection mode.

2) How to provide power for AC appliances with this product?

Connect the power cable plug of the electrical appliance to the AC outlet of the product, switch on the power button and the unit will start providing power to your appliances. WARNING! The AC outlets, AC voltage and frequency are different according to different countries ; please carefully check whether the product specifications are consistent with the appliance specifications before use, otherwise it can lead to dangerous situations.

[RIGHT]



When the AC port is not in use, turn it off to conserve power.

ATTENTION!AC Outlets,AC output voltage and frequency will be different according to different countries or areas. Please refer to the actual product before using.

Protection Mode:

Short-circuit/Overpower Protection: If the AC output is short-circuited or overpowered(Load(s) power>100W), the unit will shutdown AC output to protect itself. Please clear the problem and re-press the AC button for AC output.

※ Some devices, such as refrigerator, ice maker or a laser printer may require a surge power to start or work during a very time period, the surge power could exceed 150W or even higher, this could cause overpower protection with this unit. Please remove the devices and consult with the device manufacturers for more information. Please clear the problem and re-press the AC button for AC output.

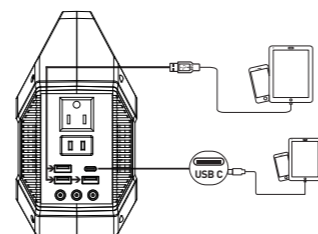
3) How to provide power for USB(C) digital appliances with this product?

Connect the standard USB cable of digital appliance to the USB output of the unit, press the " " to turn on USB output.

Notice: Some smart devices, such as Bluetooth headphones and LED lights, require very small input current to charge, which could be less than 150mA. The unit may fail to charge these kind of smart devices due to detection current limitation by the USB output ports. On this occasion, user can press the AC button " " to keep the USB port output running. Please turn off AC output when the smart devices are fully charged to save power.

Quick Charge Output: This product supports Qualcomm QuickCharge 3.0 output, support 5V-9V / 2A max output for smartdevices which also support Qualcomm QuickCharge 3.0. The actual output voltage and current depends on the actual smartdevices, it can be obtained by consulting the smartdevice manufacturer.

[RIGHT]



4) How to use the flashlight

This unit is built with ultra bright LED flashlight. Press the " " button to switch on flashlight and single press the button to switch to blink/SOS mode, Press the button to switch off.

Warning!Do not point directly at the eyes of human in case of any damage due to the strong light.

5) How to use the Led light panel

This unit is built with LED lightpanel. Press the " " button to switch on lightpanel and single press the button to switch brightness, Press the button again to switch off.

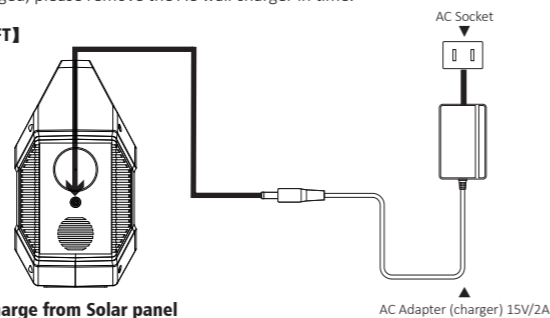
Warning!Do not point directly at the eyes of human in case of any damage due to the strong light.

6) How to charge the unit?

a.Charge through AC Wall Charger

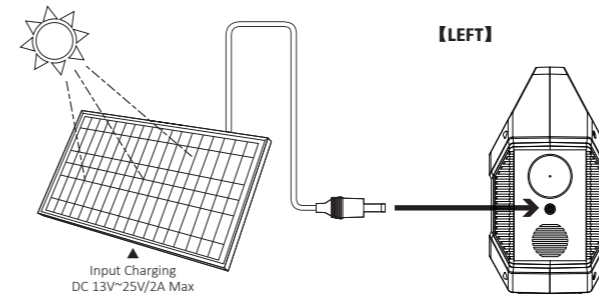
Using the included AC Wall Charger, plug the unit into any wall outlet to charge the unit. You will know the unit is charging when the blue LED battery indicators are blinking. The unit is fully charged when all battery indicators stop blinking and remain solid. After the unit is fully charged, please remove the AC wall charger in time.

[LEFT]



b.Charge from Solar panel

1. Place your solar panel where it will get as much direct sunlight as possible.
2. Plug the output of the solar panel into the input of the unit to start charging.You will know the unit is charging when the blue LED Battery Indicator lights up and blinks. The unit is fully charged when all battery indicators stop blinking and remain solid.



c. Charge from your car with a 12V car port.

Using the included car charger, plug the unit into a 12V cigarette lighter (car port) of your car. You will know the unit is charging when the blue LED Battery Indicator lights up and blinks. The unit is fully charged when all battery indicators stop blinking and remain solid.

Notice: Since the output voltage from 12v car port will float, charging speed and time from a 12v car port will be depending on actual vehicles and vehicle status.

Attention: To avoid car battery power loss. Charging this unit through your car cigarette lighter is only available when your car engine is started.

[IV] SECURITY AND MAINTENANCE

- Do not short-circuit the unit. To avoid short-circuiting, keep the unit away from all metal objects (e.g. coins, hair-pins, keys, etc.).
- Do not heat the unit, or dispose of it in fire, water or other liquids. Keep away from high temperatures. Do not expose the unit to direct sunlight.
- Keep away from high humidity, dusty places.
- Do not disassemble or reassemble this unit.
- In order to extend the life of product (lithium battery), it is best to charge within 3 Do not drop, place heavy objects on, or allow strong impact to this unit.
- This appliance is not intended for use by persons (including children) with reduced physical, sensory or mental capabilities, or lack of experience and knowledge, unless they have been given supervision or instruction concerning use of the appliance by a person responsible for their safety.
- Children should be supervised to ensure that they do not play with the appliance.
- Do not cover the device with towels, clothing and other item.
- The unit may become hot when charging. This is normal. Use caution when handling.
- Do not charge the unit over the required time.
- Disconnect the unit when fully charged.
- Use the unit properly to avoid electronic shock.

m) Please deal with scrap products in accordance with the regulations, do not treat the built-in battery as a household garbage, so as not to cause the explosion and pollution.

n) The product is only used for emergency situations, it cannot replace the standard DC or AC power of household appliances or digital products.

[V] PRODUCT APPLICATION SKILLS

- This product is built in high quality original lithium ion battery, it has no memory effect but high-capacity, and it is durable. However, we still recommend you to apply in the range of 10 C ~30 C , so as to obtain the optimal charging capacity.
- When charging, in order to avoid interference, please stay away from TV, radio and other equipment.
- If the device has not been used for a long time, please disconnect the cable and store.
- Some portable devices may need to be set in charge mode to charge, see the corresponding equipment use manual for more information.
- In order to extend the life of product (lithium battery), it is best to charge within 3 months, and charge at least once within 6 months.

Cold Weather Usage

Cold temperatures (below freezing) can affect the unit's battery capacity due to chemical characteristics of the battery. If you'll be living off-grid in sub-zero conditions, we recommend you keep your unit in an insulated cooler, and connected to a power source (solar panels). The natural heat generated by the unit contained in an insulated cooler will keep battery capacity at its highest.

Recycle

Always return your used electronic products, batteries, and packaging materials to dedicated collection points. This way you help prevent uncontrolled waste disposal and promote the recycling of materials.

Battery information

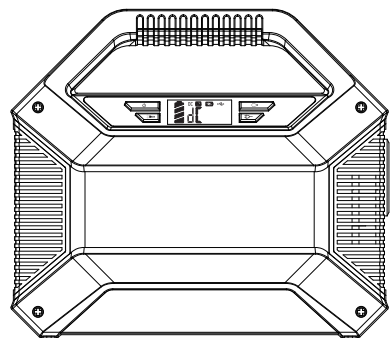
Your device has an internal, non-removable, rechargeable battery. Do not attempt to remove the battery, as you may damage the device.

The battery can be charged and discharged over 500 times, but it will eventually wear out.

Statement

All rights reserved. Reproduction in whole or in part without written permission is prohibited. All other trademarks are trademarks of their respective owners. Features and specifications are subject to change without notice.

便携式应急储能箱 通用使用说明书



重要！ 本产品说明书通用交流电输出范围在100V~240V/50Hz~60Hz版本的便携储能系统，产品实际规格参数，特别是AC交流电输出规格将根据不同国家、地区、用户定制。产品规格请以实际产品为准，使用本产品前请仔细阅读该手册。

关于本产品

非常感谢您使用本公司生产的多功能便携式移动供电储能箱产品。如果遇到停电，或者外出旅行需要用电，您可以使用该产品为您的电器或数码产品供电。本电源支持DC直流电输出，USB输出，AC交流电输出，可以为您的笔记本，电器，照明灯进行供电等。使用本产品前，请认真阅读本用户手册，并妥善保存，以备查阅。

请注意！

本手册的用途在于帮助您正确地使用产品，并不代表对本产品的软硬件配置的任何说明。有关产品的配置情况，请查阅与本产品相关的合约（若有），或咨询向您出售产品的销售商。本手册中的图片仅供参考，如果有个别图片与产品实物不符，请以产品实物为准。

本电源提供修正正弦波 (Modified Sine Wave) 输出

本电源提供修正正弦波输出，可兼容使用标准正弦波工作的交流电电器（功率<100W）工作，电器的工作效率会与采用正弦波的AC交流电效果有所不同，甚至会导致电器，如内置马达电机的电器（如风扇，带电机的打印机等）发出一定的工作噪音，这是正常的工作现象。本品仅作为应急用途，不可用来替代正常家用交流电使用，长期使用电器请务必采用电器所需供电规范。

【一】产品规格参数

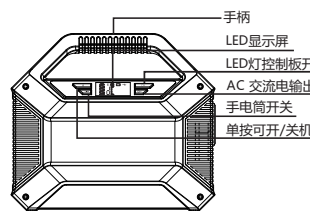
电池容量	155Wh,14Ah/11.1V(等效容量 42000mAh,3.7V)
产品尺寸(LWH)	207×96×180mm
重量	约 1.7Kg
内置电池技术	100%原厂高品质锂离子电池
充电	适配器：DC15V/2A 太阳能充电，DC 13V~25V，最高 2A 充电输入
充电时长	DC15V/2A: 8~9 小时左右
USB 输出	2 x USB 5V-2.1A 全部:3.5A Max 1 x USB 5-9V/2A 高通 QuickCharge3.0 输出 1 x USB C 5-9V/2A 高通 QuickCharge3.0 输出
DC 直流输出	3 x 5.5MM DC 输出：9~12.6V/10A(15A Max 全部)
AC 输出	修正正弦波输出； AC 输出：100/110/120/220/230/240VAC±10% 输出频率：50/60Hz±10% 重要：AC 输出电压与频率根据不同国家地区定制，请以实物为准

AC 输出功率	额定功率：100W，峰值功率：150W
照明	1 x 高亮 LED 手电筒 1 x 高亮 LED 照明灯
电量指示	Led 显示屏
工作温度	-10°C~40°C
循环寿命	>500 次
包装配件	1 x 便携储能电源 1 x 15V/2A 充电器 1 x 车充适配器 1 x 点烟器插座 1 x 使用说明书

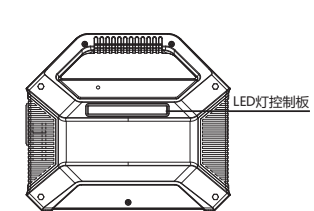
※ 注意不同产品配件可能有所差异，请以实际产品为准。

【二】产品功能说明

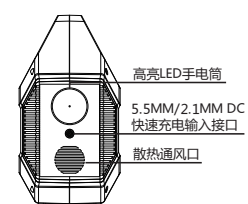
【前面】



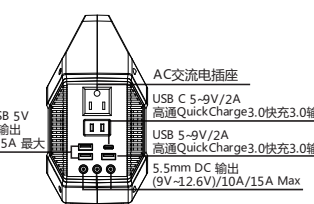
【后面】



【左侧】

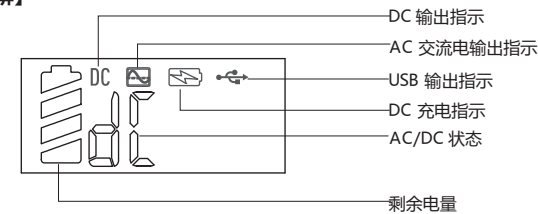


【右侧】



注意！本品 AC 电源插座，AC 交流电电压与频率因不同国家或地区不同，请以实物为准。

【显示屏】

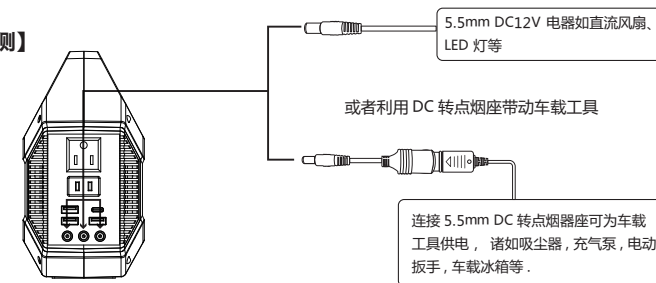


【三】产品使用说明

1). 如何使用本产品给 DC12V 电器（如照明灯，风扇）供电？

本品 5.5mm 12V DC 供电为即插即用。连接用电器到本接口即可为其进行供电。本品 DC 输出额定输出电流：10A，峰值 <15A。
注意：请确定 DC12V 电器或照明设备接口是否为 DC5.5 公头规格接口（电源插头外径：5.5mm），否则无法与本机器 DC 输出母座连接，此时您可以咨询电器生产商，购买相应的转接头与本机连接。

【右侧】



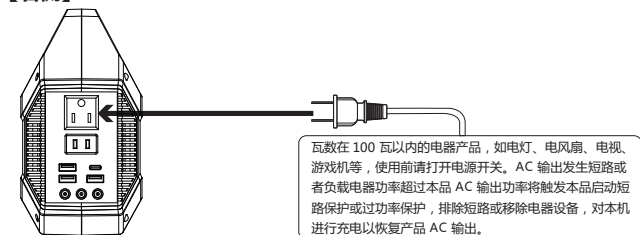
※ 本机 DC 直流输出电压范围是 9V~12.6V，最大输出电流为 15A。因电池为化学品，DC 直流电压将随电池容量下降而下降。如果您连接的 DC12V 电器不带充电稳压功能，可能会因输入电压过低而关机。请断开连接，并且及时为本机进行充电。

保护模式：
短路 / 过功率保护：如果 DC 输出发生短路或者输出过功率（负载 >150W），本机将关机以进行保护，请排除问题，并且对本机进行充电以重新激活。

2). 如何使用本产品给 AC 交流电电器供电

将该电器的电源线插头连接到本产品 AC 交流电接口，打开 AC 交流电开关键，即可让本机为电器进行供电。

【右侧】



警告：不同国家接口规格与电压标准不同，使用前务必仔细查看产品的规格是否与电器的使用规格一致，否则可能导致危险情况。

※ 当 AC 交流电插座不使用时，请及时关闭 AC 交流电开关，从而进行节能。

保护模式：

短路 / 过功率保护：如果 AC 输出发生短路或者输出过功率（负载 >100W），本机将关闭 AC 输出以进行保护，请排除问题，并且重按 AC 输出按键以实现 AC 输出。

※ 一些电器设备，如冰箱，制冰机，激光打印机等需要一个峰值功率来进行启动或发生在工作过程中，这个时间可能很短，但这个峰值功率可能超过 150W 或者更高，这将导致本机过功率保护，请移除电器设备，将咨询设备制造商以获得更多信息。请重新按本机 AC 键以重新获得 AC 输出。

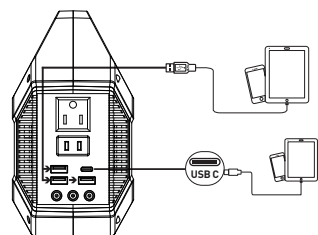
3). 如何使用本产品给 USB 数码设备供电

将数码设备标配 USB 线缆连至本产品 USB 接口，打开电源开关“O”，本机 USB 将为数码设备实现供电续航。

注意：一些智能设备，如蓝牙耳机，或者 LED 灯需要非常小的电流进行充电，这个电流可能会低于 150mA。本机可能会因为这类智能设备充电电流低于可侦测值而导致 USB 输出无法为其进行供电。在这种情况下，请按“D-”按键开启 AC 交流电输出，从而让本机保持 USB 持续输出。当 USB 设备充满电后，请及时关闭 AC 交流电输出以进行节能。

高通快充 3.0 技术：本品支持高通快充 3.0 输出技术。支持 5V-9V / 2A max 输出，用于同样支持高通快充 3.0 技术的手机或平板等智能 USB 设备进行快速充电续航。实际充电电压及电流大小与实际 USB 智能设备有关，您可以咨询该设备制造商以获得相应的信息。

【右侧】



4). 如何使用手电筒功能

本产品自带高亮 LED 手电筒。单击手电筒开关键“>=>”即可打开手电筒，依次单按按键进行模式切换：长亮模式->闪烁模式->SOS->关闭手电筒。

警告：请勿将手电筒直射人眼以免因强光而造成伤害。

5). 如何使用 LED 照明背光灯

本产品自带高亮 LED 照明背光灯。单击“>”开关键即可开启照明，依次单按按键进行亮度切换或关闭。

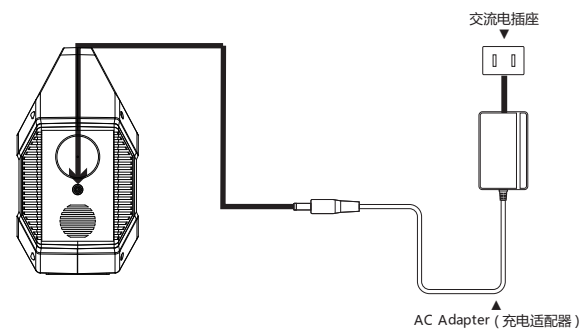
警告：请勿将 LED 灯直射人眼以免因强光而造成伤害。

6). 如何为本产品进行充电

a. 使用 AC 充电器充电

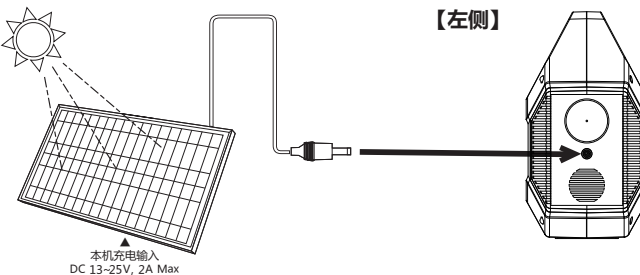
先将本产品标配的充电适配器的 AC 交流电接头连接至家用 AC 交流电插座即可为本产品进行充电。当所有电量指示灯均亮起并停止闪烁时，代表本品已经充满电。请及时将充电适配器从 AC 交流电插座上拔下。

【左侧】



b. 使用太阳能面板充电

- 将太阳能电池板尽可能的放置在太阳光直射较强的地方；
- 请将太阳能电池板的输出连接到本品的充电输入。当本品电量指示灯亮起并且闪烁时，代表本品正常充电。当所有电量指示灯均亮起并停止闪烁时，代表本品已经充满电。



c. 使用车载 12V 点烟器座为本品进行充电

使用本品标配车充头充电线，连接到您车上的 12V 点烟器座上进而为本品进行充电。当本品 LED 屏幕上的电量指示灯亮起并闪烁时代表本品正在进行充电。当所有电量指示灯均亮起并停止闪烁时，代表本品已经充满电。

注意：由于汽车 12V 电源输出电压会浮动，因此通过汽车 12V 点烟器连接对本机进行充电的时间与速度，将与不同的汽车或车况相关，请以实际情况为准。

注意：为了防止汽车电瓶意外亏电，仅当汽车发动机运作时，本充电方法才可以发挥作用。

【四】安全与维护

- 请勿让本装置发生短路。请避免将本装置与硬币，手饰，钥匙等金属物品一起存放；
- 请勿加热本装置或将其丢置于火中，水中及其它液体中，高温中，包括太阳直晒；
- 请勿将本装置置于高度潮湿，多尘的环境中；
- 请勿碰撞或私自拆装本装置；
- 请勿跌落、放置重物或强烈撞击本产品；
- 请将本产品置于生理、感知和心智能力低下的人士（包括小孩）、缺乏经验及相关知识者无法触及的地方。除非有负责他们安全的人员进行监督或指导，才能使用本产品；
- 请避免让小孩戏玩本产品；
- 使用时请勿用毛巾、衣物等物品覆盖本产品；
- 充电时本产品可能会发热。这是正常现象。处理时请小心；
- 充电时间请勿超过本产品充电所需时间；

- 便携设置充满后，请及时与本产品断开连接；
- 正常使用本产品，避免触电。
- 请按规定处理报废产品，不可将内置电池作为生活垃圾处理，以免引起爆炸和污染；
- 产品只做应急电源使用，不可替代家用电器或数码产品等标配直流电源或交流电源；

【五】产品使用技巧

- 本产品内置优质原厂锂离子电池，无记忆效应，大容量，持久耐用。但我们还是建议用户在 10°C~30°C 范围间使用，以获得最佳化充电容量；
- 充电时，为了避免产生干扰，请尽量远离电视，收音机等设备；
- 如果长时间未使用本装置，请断开电缆再存放；
- 一些便携设备可能需要设定在充电模式方可充电，更多请查看对应设备使用手册；
- 为了延长产品（锂电池）的寿命，最好在 3 个月内充电一次，至少在 6 个月内充一次。

寒冷天气使用

由于电池的化学特性，寒冷的天气（零摄氏度以下）将影响到本机电池的容量。如果你将居住在寒冷的地方且无法使用电网交流电，我们建议您将本机储存于隔温的地方，并且连接到一个电源中（太阳能电池板）。本机充电过程中自然产生的热量将帮助本品尽可能处在最佳容量状态。

回收

请务必将废旧的电子产品、电池以及包装材料送交到专门的回收点。这样可以帮助防止不受控制的废弃物处理并帮助推动材料回收。

电池信息

本设备有内置式不可拆卸充电电池。请勿尝试取出电池，以免损坏设备。电池可以充电、放电数百次以上，但最终会失效。

声明

版权所有，非经本公司书面许可，任何单位和个人不得擅自摘抄、复制本书内容的部分或全部，并不得以任何形式传播。对于本手册中出现的其它商标，由各自的所有人拥有。由于产品版本升级或其它原因，本手册内容会不定期进行更新。除非另有约定，本手册仅作为使用指导，本手册中的所有陈述、信息和建议不构成任何明示或暗示的担保。